

JANUS REMOTE COMMUNICATIONS

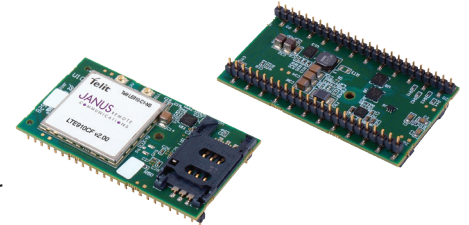
P
R
O
D
U
C
T

B
R
I
E
F

Sprint Embedded Cellular CF Footprint LTE910CF CAT1 v2.00 Socket Modem

Description

The Janus line of Common Footprint (CF) Socket Modems are footprint compatible, embedded cellular devices for use in LTE communication networks. They were specifically designed to provide customers with cost effective modules that are easily integrated into new and existing designs, require limited customer certification resources, and are completely interchangeable to allow for maximum network flexibility while removing the worry of product obsolescence.



The **Sprint LTE910CF v2.00** CF socket modem is an LTE Category 1 PTCRB and Carrier certified 4G cellular modem. They utilize the Telit LE910C1-NS module as their cellular engine. The LTE910CF v2.00 units operate in LTE bands B4, B5, B12, B25, and B26. End device certification allows users to implement the LTE910CF in their devices with no further North American carrier certification requirements.

LTE910CF v2.00 modems are pin compatible with the full line of Janus CF socket modem Products.

LTE910CF CAT1 Features

- Data Rate: LTE: 10D/5U Mbps
- v2.00 Frequency bands (Sprint)
 - LTE Bands: B4 (AWS1700), B5 (850), B12 (700), B25 (700) and B26 (850+)
- TCP/IP stack access via AT commands
- SMS (MO / MT)
- Output power: Class 3
 - (0.2W, 23 dBm) @ LTE
- Dimensions: 2.5" x 1.4" x 0.325"
- Operational temperature range: -40°C to 85°C
- Internal Switching Regulator:
 - Input Voltage Range: 4.75 to 5.25Vdc (5Vdc nominal)
 - Supply disable via terminal input pin
- Variable logic level (UART/GPIO)
 - Adjustable from 1.8 - 5.0Vdc
 - Defaults to 2.85v
- SIM Card
 - Locking SIM card socket, Mini (2FF size) SIM
- Cellular, Rx Diversity, MIMO DL 2x2 LGPS/GNSS available via miniature RF connector

Take the complexity out of designing cellular IoT solutions with Janus Socket Modems.

Applications

Suitable for all M2M Applications

- Fleet Management
- Asset Tracking
- Security Systems
- Telemetry
- Telematics & Telecontrol
- Remote Monitoring Systems
- Remote Meter Reading
- Vending Machines

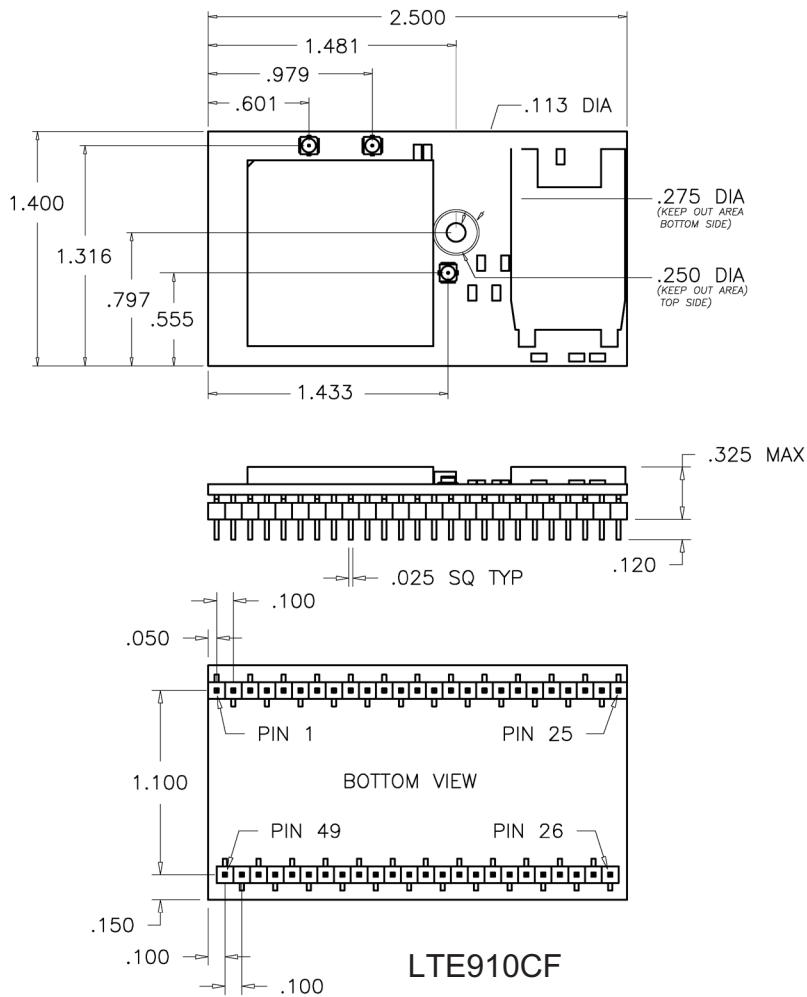
2111 Comprehensive Dr.
Aurora, IL 60505
630.499.2121
info@janus-rc.com
www.janus-rc.com

Bulletin **JA03-PB_LTE-v2**
Revision **02**
Date **12 March 2020**

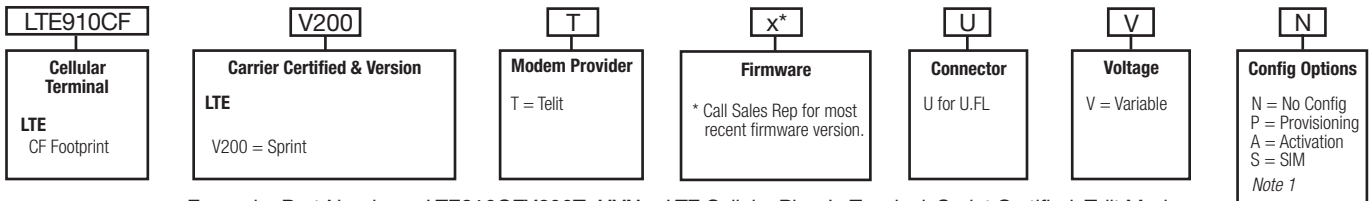


Making machines talk.

LTE910CF CF Socket Modem Mechanical Drawings



Ordering Information



Example: Part Number – LTE910CFV200TxUVN = LTE Cellular Plug-In Terminal; Sprint Certified; Telit Modem; Current Firmware with a U.FL Connector with a Variable Voltage with no configuration options.

Notes:

1. *Config Options: Provisioning is turning on a device on the network. Activation is assigning MEID's to a customer account. SIM designation is for installation of the SIM*

Contact Sales for Additional Special Order Options: Dave Jahr: djahr@janus-rc.com | 630-499-2121

Revision History

Revision	Revision Date	Note
00	05/16/19	Product Brief Release
01	11/22/19	Description and Ordering Information updates.
02	03/12/20	Updated Bands



Making machines talk.