

JANUS REMOTE COMMUNICATIONS

P
R
O
D
U
C
T
B
R
I
E
F

Micro Footprint (MF) Plug-In Series LTE910MF CAT3 Cellular Modem

Description

The new Janus line of Micro Footprint (MF) Plug-In modems are the smallest full function cellular modems available on the market today. They are footprint compatible, end device certified plug-in terminals available for use in wireless communication networks. They were specifically designed to provide customers with cost effective products that are easily integrated into new and existing designs, require limited customer certification resources, and are completely interchangeable allowing for maximum network flexibility while removing the worry of product obsolescence.

The LTE910MF CAT3 MF Plug-In modems are available in two versions: LTE910MF v1.00 for AT&T and LTE910MF v3.00 for Verizon. Both versions use Telit LE910's as their cellular engine. The LTE910MF v1.00 units operate in LTE CAT3 with fallback to HSPA+ using bands B2, B4, B5 and B17, defaulting to the appropriate network. The LTE910MF v3.00 units operate only in LTE CAT3 in B4 and B13 bands. The LTE910MF is pin compatible with the full line of Janus MF Plug-In Products.

The LTE910MF is the LTE communication modem of the MF Plug-In series.

LTE910MF CAT3 Features

- Data Rate: LTE: 10D/5U Mbps
- V1.00 Frequency bands (AT&T)
 - LTE Bands: B2 (1900), B4 (AWS1700), B5 (850), B17 (700)
 - 3G Bands: B5 (850), B2 (1900)
 - 2G Bands: GSM850, PCS1900
- V3.00 Frequency bands (Verizon)
 - LTE Bands: B4 (AWS1700), B13 (700)
- TCP/IP stack access via AT commands
- SMS (MO / MT)
- Output Power:
 - Class 4 (2W, 33 dBm) @ GSM 850 / 900
 - Class 1 (1W, 30 dBm) @ GSM 1800 / 1900
 - Class 3 (0.25W, 24 dBm) @ UMTS
 - Class 3 (0.2W, 23dBm) @ LTE
 - Class E2 (0.5W, 27 dBm) @ EDGE 850 / 900
 - Class E2 (0.4W, 26 dBm) @ EDGE 1800 / 1900
- Dimensions: 1.33" x 1.152" x 0.37"
- Operational temperature range: -40°C to 85°C
- Internal Regulator:
 - Input Voltage Range: 4.75 to 5.25Vdc (5Vdc nominal)
 - Supply disable via terminal input pin
- Variable logic level (UART/GPIO)
 - Adjustable from 1.8 - 5.0Vdc
- SIM Card
 - Push-push type SIM card socket, 'nano' (4FF) size
 - Edge mount allows for easy external access
- Cellular, Rx Diversity & MIMO DL 2x2 available via miniature RF connector



Applications

Suitable for all M2M Applications

- Fleet Management
- Asset Tracking
- Security Systems
- Telemetry
- Telematics & Telecontrol
- Remote Monitoring Systems
- Remote Meter Reading
- Vending Machines

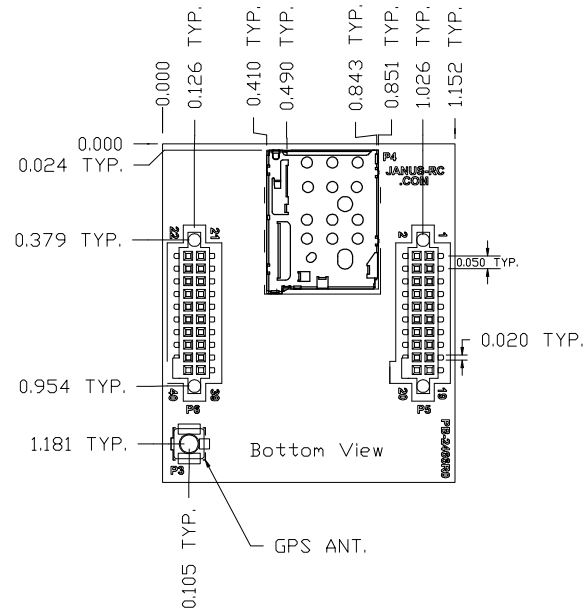
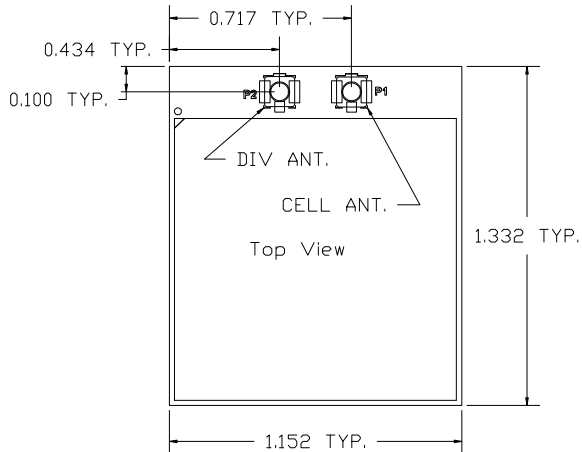
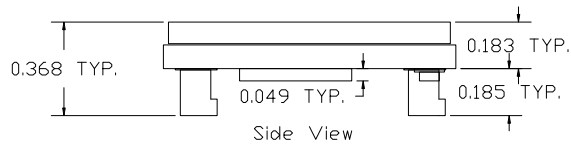
2111 Comprehensive Drive
Aurora, Illinois 60505
630.499.2121
Fax: 630.851.5040
www.janus-rc.com

Bulletin **JA22-PB_LTECAT3**
Revision **P00**
Date **01 Sept 2016**



Making machines talk.

LTE910MF CAT3 Terminal Plug-In Mechanical Drawings



Ordering Information

LTE910MF	V100	T	A	U	V	N
Cellular Terminal LTE LTE910MF	Carrier Certified & Version LTE V100 = AT&T V300 = Verizon	Modem Provider T = Telit	Firmware A = Standard	Connector U for U.FL	Voltage V = Variable	Config Options N = No Config P = Provisioning A = Activation S = SIM <i>Note 1</i>

Example: Part Number – LTE910MFV100TAUVN = LTE Cellular Plug-In Terminal; AT&T Certified; Telit Modem; Standard Firmware with a U.FL Connector with a Variable Voltage with no configuration options.

Notes:

1. **Config Options:** Provisioning is turning on a device on the network. Activation is assigning MEID's to a customer account. SIM designation is for installation of the SIM

Contact Sales for Additional Special Order Options: Dave Jahr: djahr@janus-rc.com | 630-499-2121

Revision History

Revision	Revision Date	Note
P00	09/01/16	Preliminary Release

JANUS REMOTE
COMMUNICATIONS

Division of The Connor-Winfield Corporation
2111 Comprehensive Drive • Aurora, Illinois 60505
630.499.2121 • Fax: 630.851.5040
www.janus-rc.com



Making machines talk.

© Copyright 2016 Janus Remote Communications. All Rights Reserved
Specifications subject to change without notice
See website for latest revision. Not intended for life support applications.