

## Terminus CDMA Series CDMA864D Terminal Modem

### Description

The Terminus CDMA864D is a communication control terminal with a compact enclosure that encapsulates everything needed for wireless M2M capability. Dual-band design allows for applications to be deployed on CDMA networks around the world.



The Terminus Series breaks through the barriers of M2M connectivity by minimizing investment and reducing total system costs. The Terminus contains all circuitry required to operate on the CDMA network. External antenna connection enables the system integrator to meet application specific antenna mounting requirements. The CDMA864D allows for stand-alone use via industry standard interconnects or system integration via standard 50-pin 0.1" x 0.1" dual row header, further reducing the need for additional hardware costs. The CDMA864D ability to configure 9 GPIO as CMOS input or output makes the Terminus both innovative and cost effective. The ease of application development and GPS integration also opens the door for further system cost reduction.

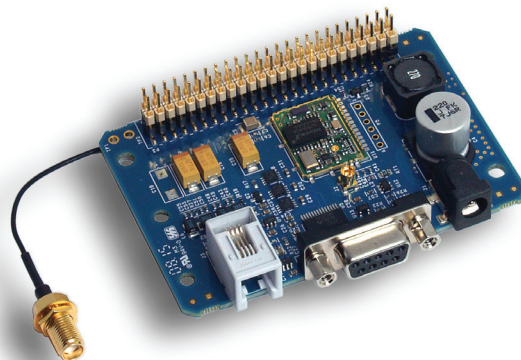
Adaptable and easy to use, the CDMA864D is ideal for use in M2M Telemetry and Telematic applications including fleet and asset management, vending, security, alarm monitoring, e-maintenance and other telemetry applications.

### Applications

- Fleet management
- Teleservice
- Security systems
- Telematics
- Telemetry and telecontrol
- Remote monitoring systems
- Remote meter reading
- Vending machines
- POS Terminals

### Terminus Models & Ordering

Ordering	Description
CDMA864D V2.00	CDMA Terminal



2111 Comprehensive Drive  
Aurora, Illinois 60505  
**630.499.2121**  
Fax: 630.851.5040  
www.janus-rc.com

Bulletin	<b>JA06-PB</b>
Revision	<b>P00</b>
Date	<b>20 Jan 2010</b>



**Making machines talk.**

## Features

### CDMA Features

- Air interface IS-95A/B and CDMA 2000
- 1xRTT Data up to 153.6 Kbps (full duplex)
- Full voice support includes Supplementary Services
- 2-way SMS support

### Environmental

- Extended temperature range:
  - -30°C to +80°C (operational)
  - -40°C to +90°C (storage temperature)

### Physical Interfaces

- Connectors
  - RS-232 9-pin Sub D
  - 4P4C Handset Jack
  - 50 Pin 0.1" Dual in-line header General Purpose Interface
  - DC Power 2.1mm barrel jack
  - CDMA Antenna Jack (SMA)
  - GPS Antenna Jack (MCX)

### Enclosure

- Rugged ABS Plastic
- Size: 2.6" x 3.75" x 1.2" (66mm x 95.25mm x 30.84mm)
- Thru-case mountable with 2-#6 screws
- PC Board mountable

### Performance

- Operating Voltage:
  - 7 to 18 VDC
  - 7 to 40 VDC Optional
- Average Current Consumption @ 12VDC: TBD
- Sensitivity:
  - 1900 MHz: < -108 dBm
  - 800 MHz: < -108 dBm
- Maximum RF output power:
  - 24.3 dBm (270 mW)

### Approvals - TBD

### Interfaces

- 9 Bi-directional CMOS I/Os
- UART select
- Power Monitor
- 1 ADC
- Serial link through UART
  - Full RS-232 (CMOS levels at 50 pin connector)
  - Baud rate 300 to 115.2 kbps
  - Auto-bauding from 2.4 to 57.6 kbps

### GPS Features

- Standalone GPS
- gspOne® (User and Control plane)
- NMEA Data
- GPS fix on demand
- -151 dBm receiver sensitivity
- Dedicated GPS antenna connection for optimal GPS performance with active antenna support

### Accessories (Optional)

- GPS antenna - See User Manual for Installation Guidelines
- CDMA antenna - See User Manual for Installation Guidelines
- AC power supply
- Evaluation kit (includes power supply, antennas and serial cable)

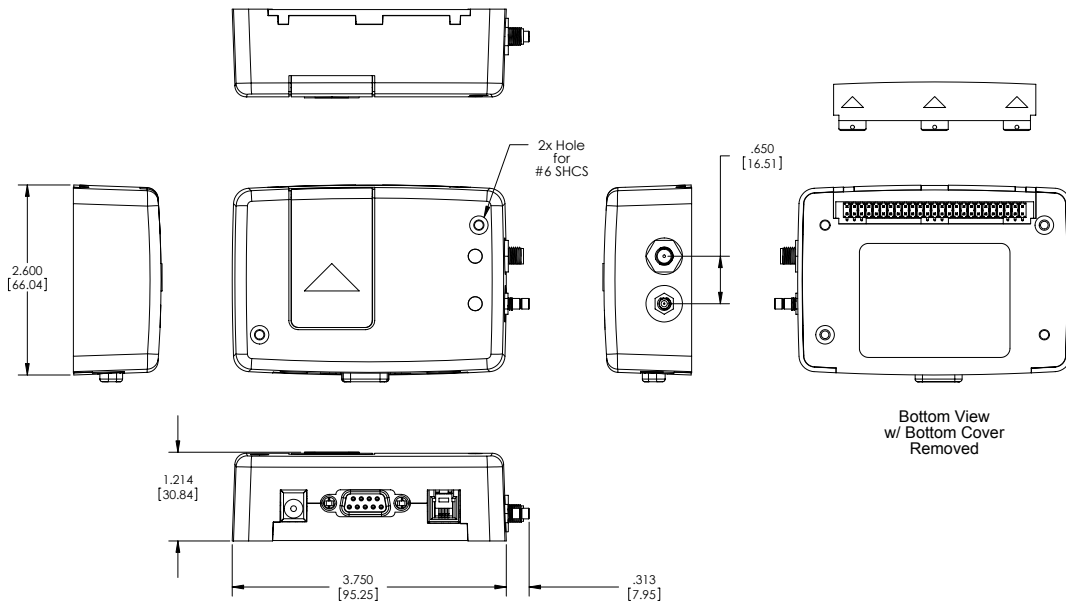
### Additional Features

- Over-the-air provisioning and device management
- Over-the-air firmware update
- OMA-DM, OTASP, OTAPA (carrier dependent)
- Built in FTP client
- Built in SMTP (email) client
- Embedded TCP/IP stack with server and client functions
- Real Time Clock
- Alarm management

### Support

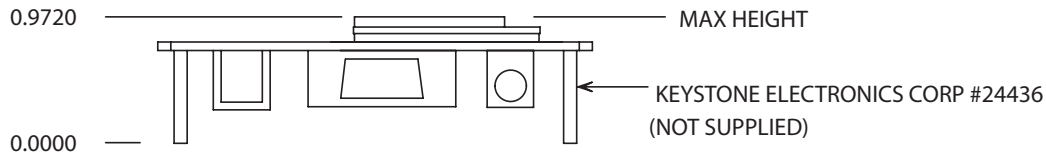
- One year manufacturers warranty
- On-line technical documentation and FAQ
- FOTA services available via Telit

## Mechanical Dimensions

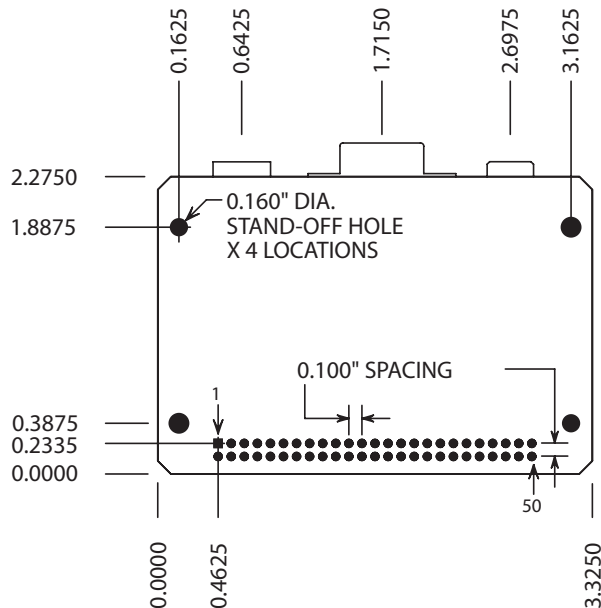


## Open Frame Diagram Option

### SIDE VIEW



### TOP DOWN VIEW



STAND-OFFS; KEYSTONE ELECTRONICS CORP #24436  
 STAND-OFF SCREWS; KEYSTONE ELECTRONICS CORP #29311  
 STAND-OFF HOLES ARE 0.160" DIA.  
 RECOMMENDED CONNECTORS:

(THROUGH-HOLE) SAMTEC SSQ-125-XX-X-D  
 (SURFACE MOUNT) SAMTEC SSW-125-22-S-D-VS

ALL DIMENSIONS ARE IN INCHES

# Terminus CDMA Series

## CDMA864D Terminal Modem

---

### Revision History

Revision	Revision Date	Note
P00	01/20/10	Preliminary Release

#### Janus Remote Communications

Division of The Connor-Winfield Corporation  
2111 Comprehensive Drive • Aurora, Illinois 60505  
630.499.2121 • Fax: 630.851.5040

[www.janus-rc.com](http://www.janus-rc.com)